

The Innovative HF Transceiver **IC-7300 is Born**



High Quality Real-Time Spectrum Scope

RF Direct Sampling System

Class Leading Phase Noise Characteristics

Large Touch Screen Color TFT LCD

Built-in Automatic Antenna Tuner

Easy-to-Hear Sound Quality

High Quality Real-time Spectrum Scope

Now, a serious spectrum scope is NOT a "privilege" of high-grade models. The high-resolution real-time spectrum scope comes loaded with the IC-7300. Its real-time spectrum scope with waterfall function provides top-level performance in resolution, sweep speed and dynamic range.



Real-time Spectrum Scope Capabilities

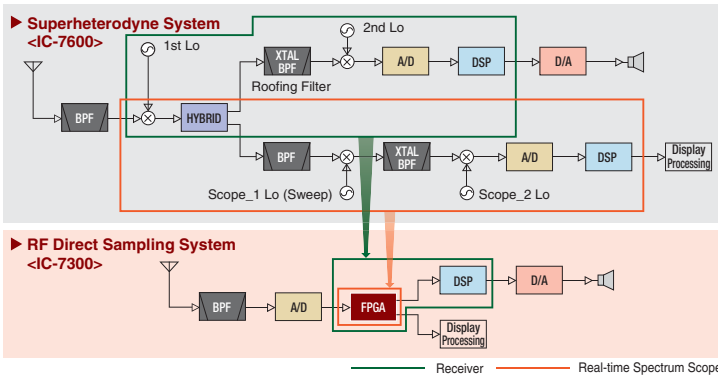
Scope system	FFT	Reference level adjustment	Yes (-20dB to +20dB)
Span width	5kHz-1000kHz	Maximum hold indication	Yes (10 sec., continuous)
Resolution*	1 dot minimum (approx.)	Average indication	Yes
Waveform display area (Vertical axis)	80 dB (indicated area)	Touch screen operation	Yes (Changing frequency)
		VBW adjustment	Yes

* Number of dots shown at the 60 dB level, when receiving a single carrier.

RF Direct Sampling System — A First in Amateur Radio*

Instead of the conventional superheterodyne system, the IC-7300 utilizes the RF direct sampling system — a first in an amateur radio transceiver. This technology is seen in Software Defined Radios and other radio equipment. RF signals are mostly processed through the FPGA (Field-Programmable GByte Array), making it possible to eliminate physical mixer and filter devices and offer a high performance real-time spectrum scope in a compact body.

* Researched by Icom, among major amateur radio manufactures.

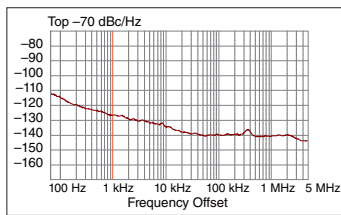


Class Leading Phase Noise Characteristics

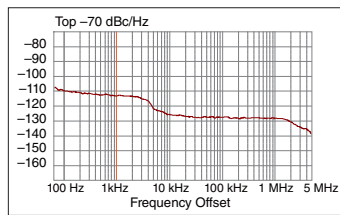
Overcoming cost and performance limitations of the superheterodyne system, the RF direct sampling system pursues ideal high performance phase noise. As the result, compared to the IC-7200, the IC-7300's phase noise characteristics are improved about 15dB (at 1kHz frequency offset). This superior phase noise reduces noise components in both receive and transmit signals.

Phase Noise Characteristics Comparison

Phase Noise [dBc/Hz] RF Atten 5 dB



IC-7300



IC-7200

This device has not been approved by the appropriate authorities in each country. This device may not be sold or leased, or be offered for sale or lease, until approval has been obtained. All stated features, appearances, screen shots and specifications may be subject to change without notice. Icom, Icom Inc. and Icom logo are registered trademarks of Icom Incorporated (Japan) in Japan, the United States, the United Kingdom, Germany, France, Spain, Russia, Australia, New Zealand and/or other countries. All other trademarks are the properties of their respective holders.

Icom Inc.

1-1-32, Kami-minami, Hirano-Ku, Osaka 547-0003, Japan Phone: +81 (06) 6793 5302 Fax: +81 (06) 6793 0013

www.icom.co.jp/world

Count on us!

Icom America Inc.

12421 Willows Road NE,
Kirkland, WA 98034, U.S.A.
Phone: +1 (425) 454-8155
Fax: +1 (425) 454-1509
E-mail: sales@icomamerica.com
URL: <http://www.icomamerica.com>

Icom Canada

Glenwood Centre #150-6165
Highway 17A, Delta, B.C.,
V4K 5B8, Canada
Phone: +1 (604) 952-4266
Fax: +1 (604) 952-0090
E-mail: info@icomcanada.com
URL: <http://www.icomcanada.com>

Icom Brazil

Rua Ibororó, 444 Padre Eustáquio
Belo Horizonte MG,
CEP: 30720-450, Brazil
Phone: +55 (31) 3582 8847
Fax: +55 (31) 3582 8987
E-mail: sales@icombrasil.com

Icom (Europe) GmbH

Communication Equipment
Auf der Krautweide 24
65812 Bad Soden am Taunus, Germany
Phone: +49 (6196) 76685-0
Fax: +49 (6196) 76685-50
E-mail: info@icom-europe.com
URL: <http://www.icomeurope.com>

Icom Spain S.L.

Ctra. Rubi, No. 88 "Edificio Can Castanyer"
Bajos A 08174, Sant Cugat del Valles,
Barcelona, Spain
Phone: +34 (93) 590 26 70
Fax: +34 (93) 589 04 46
E-mail: icom@icomspain.com
URL: <http://www.icomspain.com>

Icom (UK) Ltd.

Blacksloe House, Altira Park,
Herne Bay, Kent, CT6 6GZ, U.K.
Phone: +44 (0) 1227 741741
Fax: +44 (0) 1227 741742
E-mail: info@icomuk.co.uk
URL: <http://www.icomuk.co.uk>

Icom France s.a.s.

Zac de la Plaine,
1 Rue Brindejone des Moulinais, BP 45804,
31505 Toulouse Cedex 5, France
Phone: +33 (5) 61 36 03 03
Fax: +33 (5) 61 36 03 00
E-mail: icom@icom-france.com
URL: <http://www.icom-france.com>

Icom (Australia) Pty. Ltd.

Unit 1 / 103 Garden Road,
Clayton, VIC 3168 Australia
Phone: +61 (03) 9549 7500
Fax: +61 (03) 9549 7505
E-mail: sales@icom.net.au
URL: <http://www.icom.net.au>

Icom New Zealand

39C Rennie Drive, Airport Oaks,
Auckland, New Zealand
Phone: +64 (09) 274 4062
Fax: +64 (09) 274 4708
E-mail: inquiries@icom.co.nz
URL: <http://www.icom.co.nz>

Large Touch Screen Color TFT LCD

The IC-7300 has a large color TFT LCD and it can be used as a touch screen. This user-friendly interface provides intuitive operation. Using the software keypad of the touch screen, you can easily set various functions and edit memory contents.



Multi-dial Knob for Smooth Operation

When you push the multi-dial knob, menu items are shown on the right side of the display. You can select an item with a touch of the screen and adjust levels by turning the multi-dial knob. This combination of the multi-dial knob and touch screen offers quick and smooth operation.



Built-in Automatic Antenna Tuner

The high-speed automatic antenna tuner is built into a compact chassis (240 (W) x 238 (D) x 95 (H) mm; 9.45 x 9.37 x 3.74 in). You can easily carry the radio and enjoy field operation.



Easy-to-Hear Sound Quality

To offer optimum sound quality, a new speaker unit is employed and is allocated sufficient space in the aluminum die-cast chassis.



Other Features

- Voice memory function
- Memory keyer functions for CW and RTTY
- RTTY decode log function
- Screen capture
- SD card slot
- USB for CI-V and audio input/output
- Large cooling fan system
- Multi-function meter
- 101 memory channels (99 regular and 2 scan edge channels)
- Multiple CW functions
- Digital noise reduction
- 100W output power on HF/50MHz bands and 50W on 70MHz band* (*Europe versions only)
- SSB, CW, RTTY, AM and FM modes



Your local distributor/dealer:

Asia Icom Inc.

6F No. 68, Sec. 1 Cheng-Teh Road,
Taipei, Taiwan, R.O.C.
Phone: +886 (02) 2559 1899
Fax: +886 (02) 2559 1874
E-mail: sales@asia-icom.com
URL: <http://www.asia-icom.com>

Shanghai Icom Ltd.

No.101, Building 9, Caifuxingyuan Park,
No.188 Maoting Road, Chedun Town,
Songjiang District, Shanghai, 201611, China
Phone: +86 (021) 6153 2768
Fax: +86 (021) 5765 9987
E-mail: bjicom@bjicom.com
URL: <http://www.bjicom.com>